



# Math Study Strategies

## Math for Automotives

### Length of a Piston Skirt

Find, in inches, the length  $x$  on this skirt. The other dimensions are:

$$B = 0.375''$$

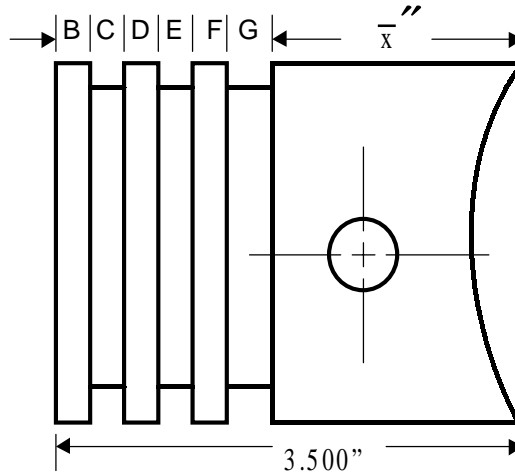
$$C = 0.090''$$

$$D = 0.1875''$$

$$E = 0.090''$$

$$F = 0.125''$$

$$G = 0.1875''$$



1. To find  $x$  add  $B + C + D + E + F + G$
2. Subtract from the whole length of skirt (3.500"), the sum of B, C, D, E, F, G.

When adding or subtracting decimals, align the decimal points so that each decimal place value will be in the same column and add or subtract as whole numbers.

$$\begin{array}{r} 0.3750 \\ 0.0900 \\ 0.1875 \\ 0.0900 \\ 0.1250 \\ + 0.1875 \\ \hline 1.0550 \end{array} \qquad \begin{array}{r} 3.500 \\ - 1.055 \\ \hline 2.445 \end{array}$$

The **length  $x$**  of the skirt is 2.445"